



Caltech
SHINES



Saturday, April 3, 2021
10:00 am to 3:00 pm

Hosted by the Division of Biology and Biological Engineering &
Chemistry and Chemical Engineering

Saturday, April 3rd, 2021 - Schedule of Events:

Session 1 - Campus Life: [Join Here](#)

10:00 am Opening remarks (**Bil Clemons**)
 Tom Rosenbaum - President of Caltech
 David Chan - Dean of Graduate Students
 Ellen Yan - [Graduate Student Counsel Representative](#)
 Lindsey Malcolm-Piqueux - [Assistant Vice President, Diversity, Equity, Inclusion & Assessment](#)

10:55 am Life at Caltech Video

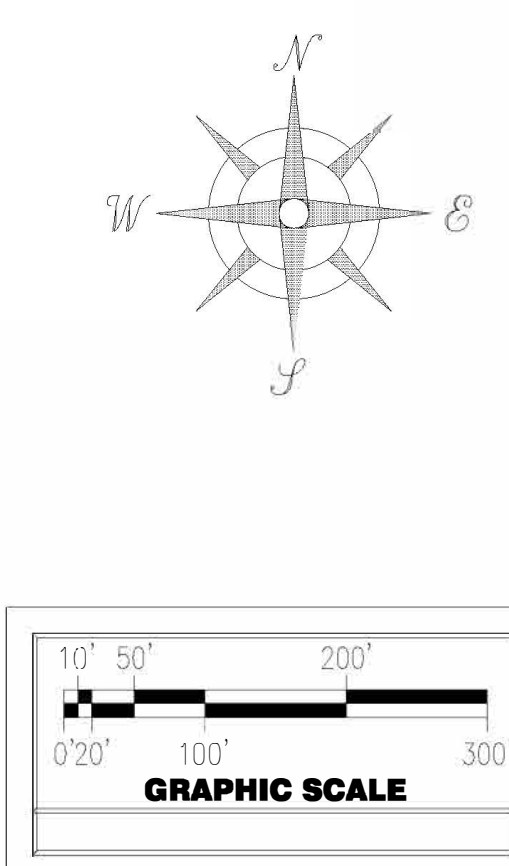
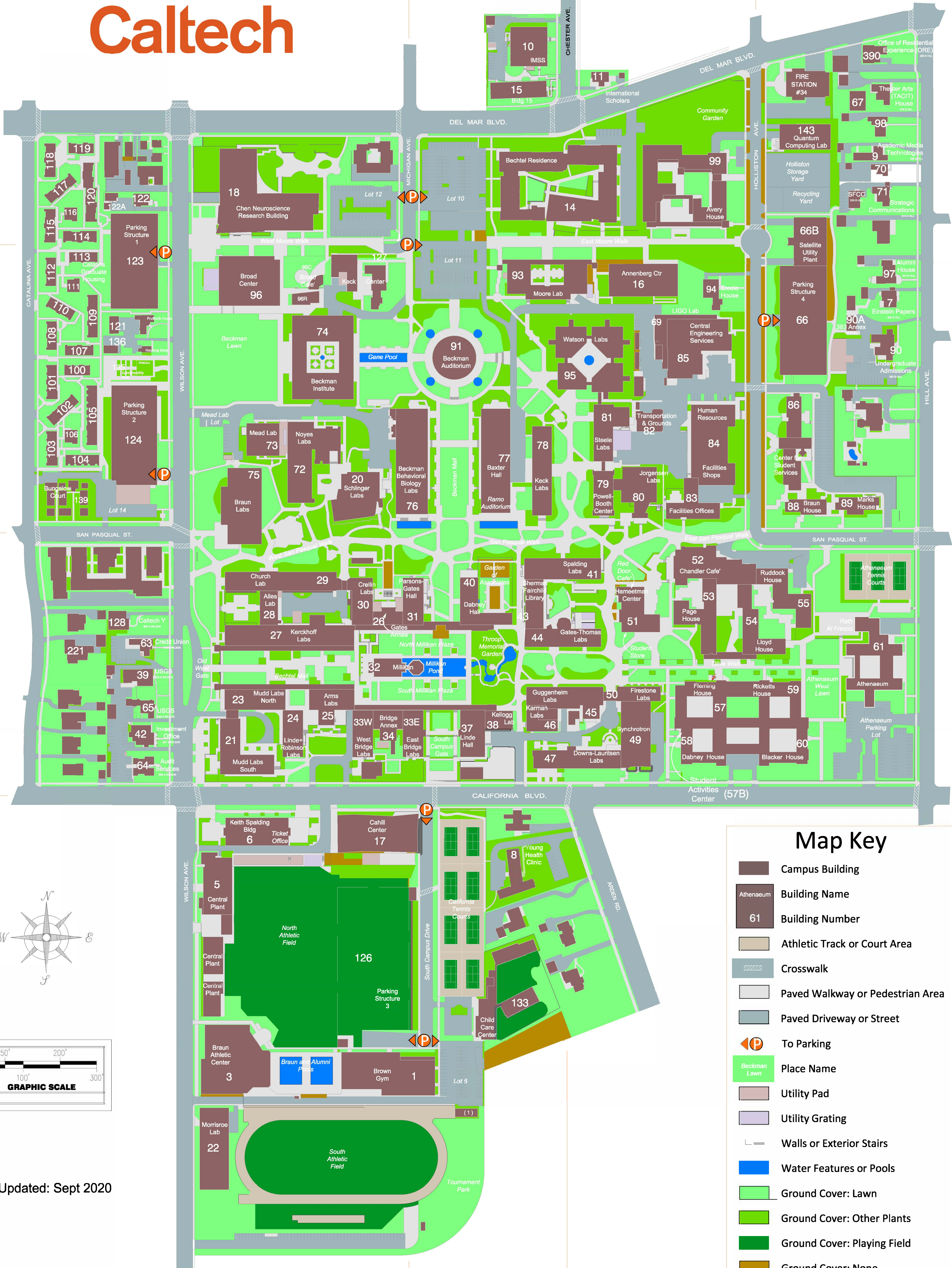
11:00 am Graduate Resources:
 Greg Fletcher - [Program Director, Caltech Y](#)
 Felicia Hunt - [Assistant Vice President for Student Affairs and Residential Experience \(ORE\)](#)
 Taso Dimitriadis - [Interim Director of Caltech Center for Inclusion & Diversity](#)
 Hima Vatti - [Assistant Vice President, Equity & Title IX Office](#)
 Jennifer Howes - [Assistant Vice President for Student Affairs and Wellness](#)
 Lee Coleman - [Clinical Director of Counseling Services](#)
 Grace Ho - [Occupational Therapist, Occupational Therapy](#)
 Candace Rypisi - [Assistant Vice Provost and Director of Student-Faculty Programs](#)
 Cassandra Horii - [Assistant Vice Provost and Director of Center for Teaching, Learning, and Outreach](#)
 Laura Kim - [Associate Director for International Office at Caltech and JPL](#)
 Vic Clay - [Director of Campus Security](#)
 Betsy Mitchell - [Director of Athletics, Physical Education and Recreation](#)

11:30 am Zoom Breakout Rooms:
 GSC, Health & Counseling, Diversity Resources, Recreation, Housing and Family Support, Teaching and Outreach, ISP, Grad Office

Saturday, April 3rd, 2021 - Schedule of Events:

12:30 pm	Break														
Session 2 - Division and Option															
01:00 pm	<p><u>Chair Introduction:</u> Dennis Dougherty - Chemistry and Chemical Engineering Division</p> <p>Richard Murray - Biology and Biological Engineering Division</p>														
01:05 pm	Division Town Hall: Join here for CCE ; Join here for BBE														
Session 3 - Affinity and Identity Groups															
1:30 pm - 3:00 pm	<p>Gather.town Meet-Up Tables: Password - Shines2021</p> <table> <tr> <td>BMB</td> <td>Graduate Christian Fellowship</td> </tr> <tr> <td>Caltech Y</td> <td>GSRI Alums</td> </tr> <tr> <td>Chem Grad Student Committee</td> <td>Recreation Options</td> </tr> <tr> <td>DICI</td> <td>Health Resources</td> </tr> <tr> <td>Grad Student Council (GSC)</td> <td>Option Tables</td> </tr> <tr> <td>International Student Issues</td> <td>Neurotechers</td> </tr> <tr> <td>Caltech Jazz Band</td> <td></td> </tr> </table>	BMB	Graduate Christian Fellowship	Caltech Y	GSRI Alums	Chem Grad Student Committee	Recreation Options	DICI	Health Resources	Grad Student Council (GSC)	Option Tables	International Student Issues	Neurotechers	Caltech Jazz Band	
BMB	Graduate Christian Fellowship														
Caltech Y	GSRI Alums														
Chem Grad Student Committee	Recreation Options														
DICI	Health Resources														
Grad Student Council (GSC)	Option Tables														
International Student Issues	Neurotechers														
Caltech Jazz Band															

Caltech



Map Updated: Sept 2020

Map Key

- Campus Building
- Building Name
- 61 Building Number
- Athletic Track or Court Area
- Crosswalk
- Paved Walkway or Pedestrian Area
- Paved Driveway or Street
- P To Parking
- Place Name
- Utility Pad
- Utility Grating
- Walls or Exterior Stairs
- Water Features or Pools
- Ground Cover: Lawn
- Ground Cover: Other Plants
- Ground Cover: Playing Field
- Ground Cover: None